

LIDS SHALL BE FLUSH WITH FINISHED GRADE

LIDS SHALL BE FLUSH WITH FINISHED GRADE

SIDEWALK

DRIVEWAY APPROACH

6"

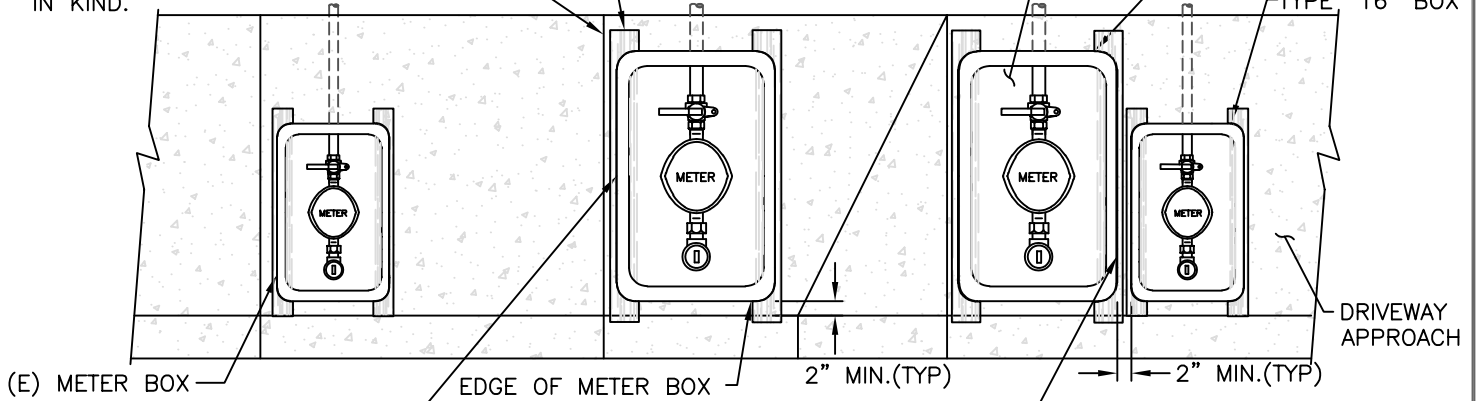
2"

FILL WITH CONCRETE BETWEEN BOXES
FOR INSTALLATION IN DRIVEWAY APPROACH, USE TRAFFIC BOX. SEE TABLE BELOW.

SAW CUT SIDEWALK AT NEAREST JOINTS. REMOVE AND REPLACE ENTIRE SIDEWALK SQUARE(S) IN KIND.

SOLID PLASTIC COMPOSITE LUMBER (2x4 MIN.) UNDER LONG SIDES OF BOX (TYP).

TYPE "36" BOX
TYPE "16" BOX



FOR INSTALLATION BEHIND CURB USE NON-TRAFFIC BOX

EDGE OF METER BOX SHALL BE 2" BEHIND BACK OF CURB

ADJACENT METER BOXES SHALL BE 2" APART

BEHIND-CURB INSTALLATION

MINIMUM #4 REBAR REINFORCING STEEL

LIDS SHALL BE FLUSH WITH FINISHED GRADE

TRAFFIC BOX AND LID REQUIRED SEE TABLE BELOW

AC PAVING

UNPAVED

9"

2"

6"

9"

CONCRETE COLLAR REQUIRED
SOLID PLASTIC COMPOSITE LUMBER (2x4 MIN.) UNDER LONG SIDES OF BOX (TYP).

FILL WITH CONCRETE BETWEEN BOXES

MINIMUM #4 REBAR REINFORCING STEEL


CONCRETE COLLAR REQUIRED

INSTALLATION IN AREAS WITHOUT CURB

BOX TYPE	NON-TRAFFIC (SCWD TO SUPPLY LID)	TRAFFIC (CONTRACTOR TO SUPPLY LID)
TYPE "16"	CHRISTY B16BOX	CHRISTY B1324 BOX / B1234-51JH LID
TYPE "36"	CHRISTY N36BOX	CHRISTY B1730 BOX / B1730-51JH LID

NOTES

- SEE LOCAL PUBLIC WORKS JURISDICTION'S STANDARD DETAILS FOR SIDEWALK CONSTRUCTION REQUIREMENTS.



WATER DEPARTMENT
CITY OF SANTA CRUZ, CALIFORNIA

DETAIL 2

METER BOX INSTALLATION

NOT TO SCALE

Leandro Rivera

APPROVED RCE C58091

DRAWING No. 3712 A REVISED DECEMBER 2009 \\fishare3\wt\WTE\Standard Specifications & Details\Water Standard Details\2024 Revisions\2024_StdDtl_Revisions_recover.dwg